



# MPB 414

Portable Waste Compactor

Why compact waste?

BERGMANN -  
The genuine article

MPB 414 -  
In detail

MPB 414 -  
Advantages

MPB 414 -  
360° View

Waste materials?

Technical datasheet

Transporting the MPB

Accessories

Contact



# REDUCE WASTE VOLUMES TO REDUCE WASTE COSTS!

## COMPACTING WASTE GIVES YOU FINANCIAL HEADROOM

There's nothing as expensive as storing or transporting air. Uncompacted waste fills up containers quickly. And it's not just your bins that will overflow, so will your costs.

- > Resources will be tied up
- > Longer operating times
- > Inefficient use of space
- > Operational backlogs

## BERGMANN WASTE MACHINERY

Whenever waste management becomes a problem and costs start to ramp up, BERGMANN is on hand with equipment solutions to come to rescue.

- > Increasing the tonnage of containers
- > Reducing transport costs and CO2 emissions
- > Reduced waste management space requirement
- > Increased operational efficiency
- > Reduction in manpower costs



[CLICK HERE TO REVEAL THE SOLUTION TO YOUR WASTE PROBLEM](#)



# BERGMANN - A 50 YEAR HERITAGE

## STILL THE BEST - AND PROUD OF IT!

Good ideas dominate a market. The advantages speak for themselves. Others start adopting our ideas and discoveries for themselves. As a pioneer with 50 years' experience, we know that for functionality, quality and customer service no one can out-do us.

## LISTENING TO CUSTOMERS PRODUCES RESULTS

Many of our successes have come from listening closely to customers and then developing solutions that not only solve current problems but future ones too.

## YOU CAN ALWAYS RELY ON US

We have an extensive network of experienced technicians and engineers with a 15-year historical spare parts availability: the basics of our professional customer service offering.





# BERGMANN MPB 414 - EXPERIENCE IN EVERY DETAIL



# BERGMANN MPB 414 - ADVANTAGES

## THE SELF-CLEANING, PENDULUM PISTON

The pendulum piston keeps the charge box clean. Consequently, the MPB 414 has no cleaning hatches.

A unique feature!

Pendulum piston in action

VIDEO

VIDEO

Self-cleaning in action

VIDEO

VIDEO

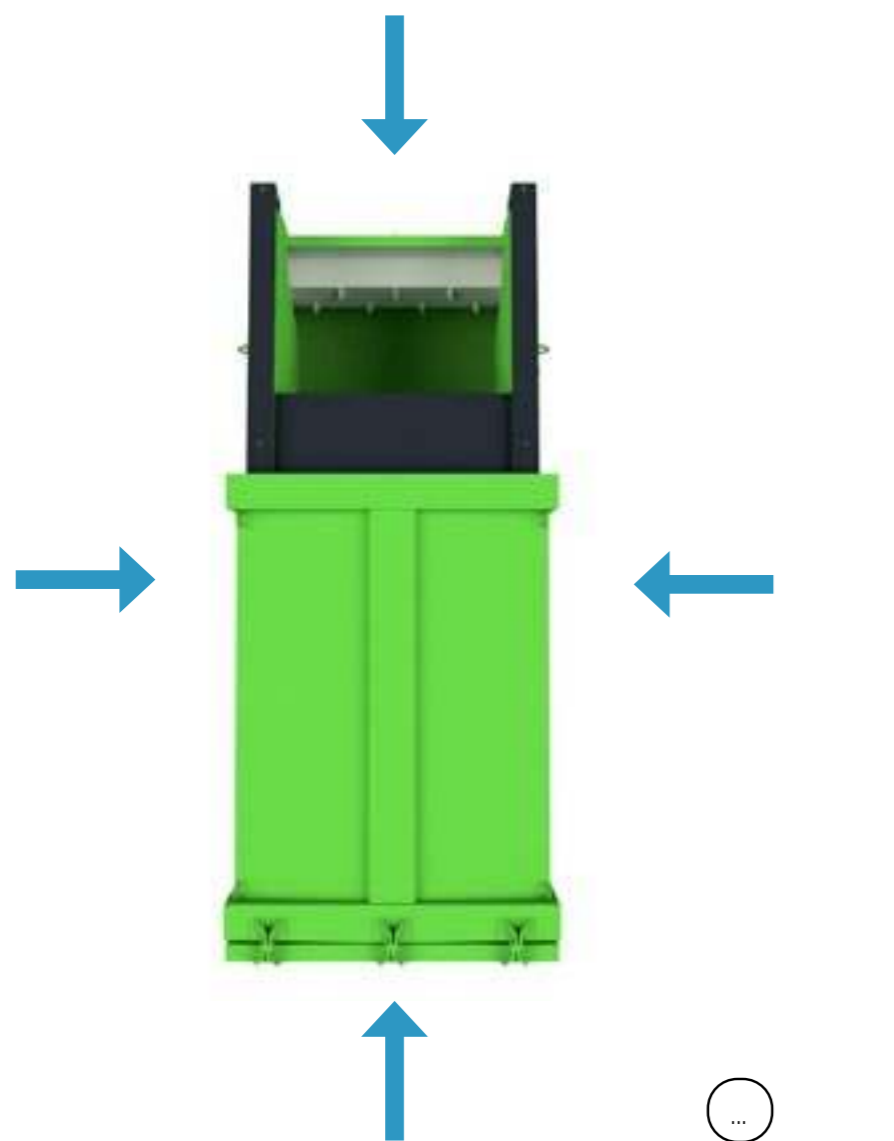
## CONE-SHAPED CONTAINER- FOR EASIER EMPTYING

Our cone-shaped container solves emptying problems associated with cardboard, plastic foil and wet and residual waste.

Easier emptying



# BERGMANN MPB 414 - 360° VIEW



# WHICH MATERIALS CAN BE COMPACTED?



## WASTE TYPES

Wet and residual waste, organic waste and other dry waste

## APPLICATIONS

Restaurants, hotels, hospitals, food productions, slaughterhouses, supermarkets, printing houses, etc.

Organic waste

Residual waste

Cardboard

Show compaction results



# TECHNICAL DATASHEET

## Technical details

- Integrated, lateral pull out hydraulic aggregate
- Compaction system: self-cleaning pendulum piston
- Continual loading: 100% volume available throughout the cycle
- No blocking during forward cycle
- Press section and container space are welded in one piece from the filling edge to the backdoor
- The pendulum discharge door is locked twice

Power: 5,5 kW

Fuse protection: C 25A

Electrical connection: 400V, 50 Hz, clockwise

Forward/return cycle speed: 14 sec. / 14 sec.

Dispaced volume: 0,65 m<sup>3</sup>

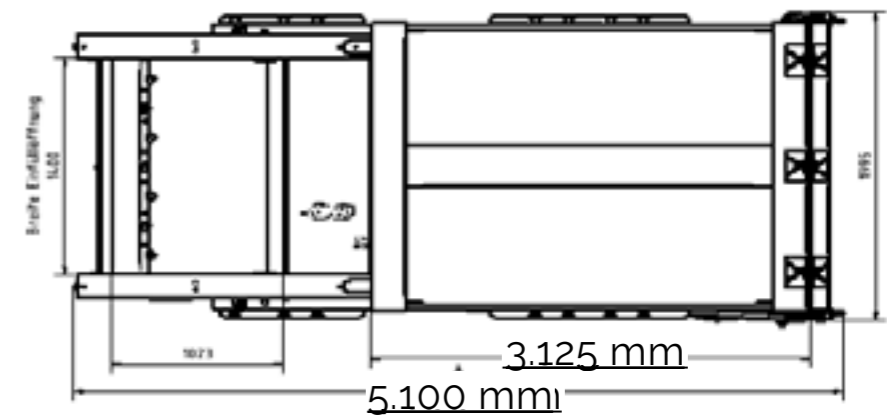
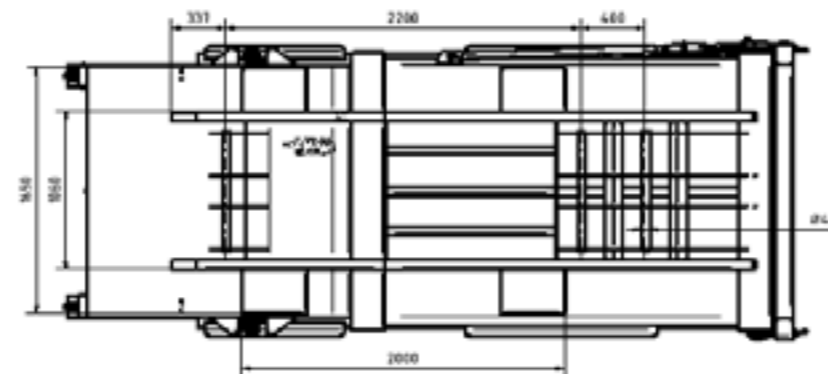
Capacity charge box: 2,0 m<sup>3</sup>

MPB 414-SN/8

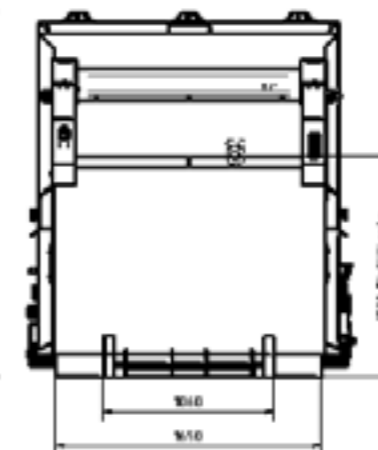
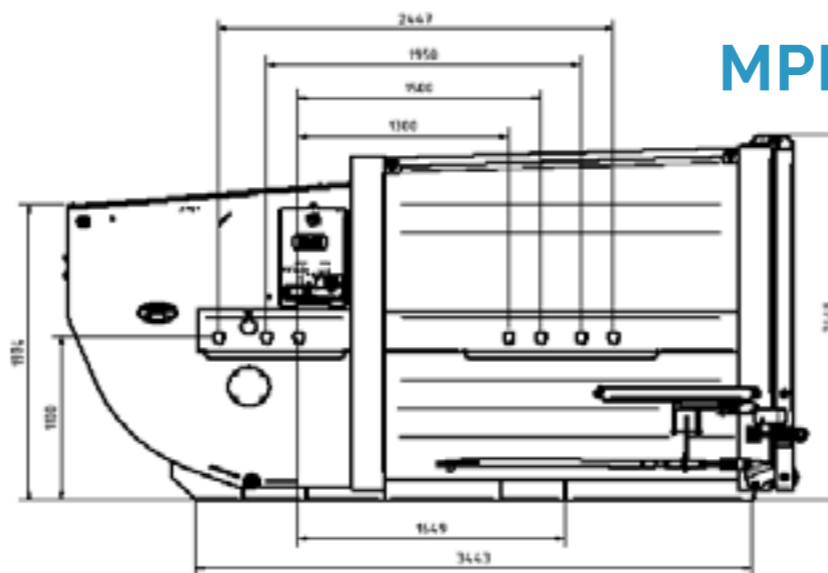
MPB 414-SN/10

MPB 414-SN/12

...



## MPB 414-SN/12



Subject to technical modifications!

Technical details

Standard equipment

capacity [m<sup>3</sup>]: 11,6 • max. operating pressure [bar]: 200  
 theor. cylinder thrust [kN]: 314 • theor. blade face pressure [N/cm<sup>2</sup>]: 32,8  
 net weight [kg]: 3.070





# BERGMANN MPB 414 - TRANSPORT

## BERGMANN MPB with pinions

The BERGMANN MPB 414 is equipped with attached pinions for the transport with a skip loader. The dimensions of our press boxes are defined according to DIN standards, so that transport can be carried out with the usual skip loaders for standard containers.



- 1
- 2
- 3
- 4
- VIDEO



# ACCESSORIES (1/11)

Name	Description	Articel number
<b>Wall-mounted hopper</b>	for filling of the compactor via a wall opening with the max. measures of h = 1000mm, w = 1500mm. The supports on right and left side of the shoot can be adjusted in height. The wall shoot is delivered in single parts incl. fastener. We recommend to use guide rails to avoid the collision of the compactor with the shoot. Painted in RAL 7016.	14 000 106
<b>Ozone generator</b>	to minimize unpleasant odours. The ozone generator is mounted in the aggregate room. The ozone will flow by means of a tube into the pressing chamber. A sufficient ventilation has to be ensured in closed rooms. Quantity of produced ozone: 0 - 200 mg/h	14 000 116
<b>100% full signal</b>	After the signal '100% full' has been activated the machines switches automatically off. Only by switching off and on the main switch this function can be reseted and the machine can operate again. The accessory '100% full' has to be ordered separately.	14 000 125
<b>Special drive motor</b>	Special motor, wiring and contactor are designed for 220V and 400V. Electrical connection: 400V	14 000 311
<b>Hydraulic oil heating</b>	Hydraulic oil heating thermostatically regulated for temperatures under - 10 degrees C.	14 000 421



# ACCESSORIES (2/11)

Name	Description	Article number
<b>IP enhancement IP44 to IP65</b>	Increases IP rating to IP65	14 000 423
<b>Preparation for BERGMANN bin-lifter</b>	Allows the retro-fitting of a Bergmann bin-lifter. Profile plates, hydraulic block, electrical controls, piping to the filling edge (excluding the hydraulic pipes), control panel for two-handed operation and electrical controls included. This option is ONLY for the retro-fitting of a Bergmann bin lifter. Other makes are excluded.	14 000 502
<b>Additional components bin lift + hydraulic lid opener</b>	Additional components on the hydraulic unit to use a bin lift and a hydraulic lid opener.	14 000 504
<b>Lid over feeding aperture</b>	hinged at rear. Gas struts allow an easy opening, the support pole keeps the cover open, the excentric closing makes a safe closing during transport possible. Paint: RAL 7016 "anthracite grey"	14 000 513
<b>Shut-off by limit switch</b>	When opening the cover of the compactor the machine switches off automatically. To make a compaction with closed cover possible, the L-shaped cover is required in combination with this accessory.	14 000 519
<b>Hopper over feeding aperture</b>	Side walls will be approx. 250 mm higher, the front wall approx. 240 mm higher. The total height of the sides amounts therefore to approx. 2.200 mm and the infill height is increased to approx. 1.785 mm. Paint: as RAL colour of machine	14 000 523



# ACCESSORIES (3/11)

Name	Description	Article number
<b>Watertight finish</b>	Rubber seal all around discharge opening and testing of watertightness in our factory by filling the container with water. Additionally, two spindle closings will be mounted on the discharge door. For a proper function of the sealing it has to be maintained regularly and cleaned after each emptying. We do not give a guarantee for the operational reliability of the sealing.	14 000 545
<b>Operation authorized by key</b>	Additional key switch in control panel with positions ON and OFF. By switching of key the machine is ready for operation.	14 000 546
<b>Integrated bin lift pinion</b>	for the discharging of bins with pinion lift. For bins with folding lid (hinged) or without lid. The two-hand-operation assures for the operator a secure tipping of the bin. A flashing light supports safety during movement of the bin-lifter. Max. load capacity: 300 kg As a standard the bin lifter can tip bins according to DIN-EN 840 with a width of 1260 mm and a pinion height of 1000 mm.	14 000 563
<b>Integrated bin lift additional comb</b>	in addition to the integrated lift tipping device with pinion lift. Bins with only one comb height can be lifted. The bin will be picked-up with a comb and will be fixed thanks to mechanical clamping in every position of the tipping operation. max. load capacity: approx. 400 kg As a standard the bin lifter can tip bins according to DIN-EN 840 with a comb and a comb height of 830 mm.	14 000 564





# ACCESSORIES (4/11)

Name	Description	Article number
<b>Opener for swinging lid (MPB with lid)</b>	of roller bin. For machines with cover and integrated lift-tipping device. The mechanical lid opener opens or closes automatically the swinging lid of a 1,1m <sup>3</sup> roller bin (according to DIN 30700) when the lift-tipping device is operated. The cover of the machine has to be opened manually.	14 000 565
<b>Opener for swinging lid (MPB without lid)</b>	für Maschinen ohne Abdeckhaube und mit integrierter Kipp-Vorrichtung. Der mechanische Deckelöffner ermöglicht das automatische Öffnen und Schließen des Schwingdeckels eines 1,1 m <sup>3</sup> Rollbehälters (nach DIN 30700), wenn die Kipp-Vorrichtung betätigt wird.	14 000 566
<b>Preparation for GSM-Basic</b>	Preparation inside the electrical cabinet 5 V DC with antenna for a later installation of a GSM unit.	14 000 669
<b>Key switch ON/OFF</b>	Start button is replaced by key switch with the positions on/off. The machine can only be started with the key. After pulling off the key the machine operates for the indicated time or switches off by pressing the OFF button or emergency stop. Restarting of the machine can only be done with the key.	14 000 779
<b>Pontential-free contact</b>	Electrical extension for transferring a state from or to the machine, e.g. starting of the machine due to the signal of an external control "conveyer has started".	14 000 781
<b>Preparation for remote control</b>	A 16 pole plug connection is mounted outside on the compaction unit on a user-defined position. All signals and functions of the standard control panel will be transfered to the plug connection.	14 000 784



# ACCESSORIES (5/11)

Name	Description	Article number
<b>GSM Basic + GPS package</b>	Allows the sending of two signals (e.g. 75% full, low oil level) by SMS text or email directly to five receivers and a further ten emails via the Bergmann server. Operating hours can be recorded and requested as well as reliable GPS positioning of the compactor is possible. Easy remote programming from your office or PC with tablet or smartphone. Expandable for diagnostics and remote maintenance. Includes a robust antenna for GPC/GSM signal. Analysis and management of data over the Bergmann Service Portal. Requires customer to obtain the SIM card. The PIN-request must be de-activated. The SIM card must allow GPRS roaming. Frequencies 850, 900, 1800, 1900 MHz. Transmissions such as 75% full are not included. Part includes: GSM module, antenna, power pack, potential-free contact and various electrical components.	14 000 787
<b>Lid with hydraulic opener</b>	Hydraulic opening of the cover by pressing a separate start-button opens the lid up to 80° as a standard. The machine has to be in operation to enable the opening of the cover.	14 000 797
<b>Automatic lid opening by the bin lifter</b>	Lid inclusive automatic opening function with integrated bin lift On operation the cover over the inlet opening will mechanically be opened by a bar. This function is only possible in combination with bins with hinged lid or no lid!	14 000 798
<b>Set of red and white warning stickers</b>	Set of 8 stickers (2 each for front back, sides) made from reflective plastic compliant with DIN 67520. Dimensions: L=701mm W=141 mm.	20 000 800



# ACCESSORIES (6/11)

Name	Description	Article number
<b>Castors on compaction chamber</b>	Rolls (150 mm wide) fixed below the compaction chamber for easy manoeuvring of the MPB. The outside distance of rollers is 1.650mm.	14 000 808
<b>Castors on the discharge door</b>	Rolls (150 mm wide) fixed at rear of machine for easy manoeuvring of the MPB. The outside distance of rollers is 1.740mm..	14 000 809
<b>Higher side walls</b>	The inlet opening on left and right side is increased by approx. 340 mm.	14 000 824
<b>2-part lid, incl. bulkhead</b>	Die zweiteilige Abdeckhaube ist links und rechts angeschlagen und von der Mitte her hochklappbar. Vereinfachtes Öffnen des Deckels durch Gasdruckfederentlastung, zwei Stützstangen halten die Deckelteile geöffnet, welche somit auch als Seitenwanderhöhung dienen können. Das Schott erhöht die Einfüllkante um 300mm. Durch den Excenterverschluss wird ein sicheres Verschließen während des Transportes ermöglicht. Lackierung: in RAL 7016 Anthrazitgrau	14 000 826
<b>Front bulkhead</b>	The screwable front wall will be increased by approx. 250 mm so that the total height of inlet opening will be approx. 1.730 mm. Paint: RAL 7016 anthracitegrey	14 000 831
<b>L-shaped lid</b>	The cover over inlet opening is L-shaped. This enables an operation of the machine also with closed cover.	14 000 832
<b>Sealing of the lid</b>	with edge protecting rubber profile. All four sides of the cover are sealed.	14 000 833



# ACCESSORIES (7/11)

Name	Description	Articel number
<b>Sealing of the discharge door h=1.000 mm</b>	on discharge opening up to height of 1.000 mm. For a proper function of the sealing it has to be maintained regularly and cleaned after each emptying. We do not give a guarantee for the operational reliability of the sealing.	14 000 834
<b>Hydraulic 75% full signal</b>	indicated by a yellow signal lamp in control panel.	14 000 836
<b>Lockable cover</b>	on control panel, incl. a padlock. When the cover is closed the emergency stop button is automatically activated.	14 000 839
<b>Preparation photoelectric cell</b>	Preparation for start-up by photoelectric cell The machine is equipped with a photoelectric-cell which is not integrated or connected to the control. The installation of the photoelectric cell in the machine control has to be effected only by an electric specialist. The operating company has to carry out a risk evaluation and has to keep records accordingly. The operating company has to make sure that no person is able to enter the danger zone.	14 000 841
<b>Start signal as pulse</b>	This accessory detects if the start button or the photo cell has been manipulated. An unwanted continous operation will be prohibited herby.	14 000 842
<b>Continous full message</b>	The filling level of the machine can be continuously monitored.	20 000 843
<b>2 inch "C"-connection</b>	with locking cap for fire hose. Mounted in the upper part of container on right hand side (in compaction direction).	20 000 844
<b>Hydraulic 100% full signal</b>	indicated by a red signal lamp in control panel.	20 000 847





# ACCESSORIES (8/11)

Name	Description	Article number
<b>Double pump</b>	reduces the pressing cycle from approx. 29 sec. to only approx. 24 sec. Technical Data: forward cycle (differential): approx. 16 sec., return cycle: approx. 8 sec.	14 000 850
<b>Integrated bin lift comb &amp; pinion</b>	with chute for the discharging of bins with pinion lift as well as comb lift. Usable for bins with flap lid (hinged) or without lid. The two-hand-operation assures for the operator a secure tipping of the bin. The drive will be effected by switching of the hydraulic pump from press cylinder to stroke cylinder. A flashing light supports safety during movement of the binlifter. Max. load capacity: 600 kg Pinion: As a standard the bin lifter can tip bins according to DIN-EN 840 with a width of 1260 mm and a pinion height from 940 mm to 1380 mm. Comb: As a standard the bin lifter can tip bins according to DIN-EN 840 with a comb height from 820 mm to 1120 mm as e.g. 120, 240, 360, 660, 77 0 and 1100 litre-bins.	14 000 861
<b>Automatic return of the press plate (rear)</b>	After the adjusted running time the piston stops automatically under the breakwall. The container opening is thus closed by the piston and the material will not creep out.	14 000 866
<b>2 inch drain plug</b>	mounted on right hand side (in compaction direction) on the lowest position on pack bin to empty liquid from the container.	14 000 867
<b>Remote control (instead of main control)</b>	incl. metal protection casing with 5 m cable. The 16 pole multiway plug makes it easy to connect and disconnect the remote control. The standard control panel on the machine is not applied, but an additional emergency stop button is fixed on the machine. On delivery of the machine the remote control will be inside the inlet opening of the compactor!	14 000 868



# ACCESSORIES (9/11)

Name	Description	Article number
<b>Remote control (additional to main control)</b>	in addition to standard control panel, with 5 m cable, multipole plug and plug match on machine. Standard control panel will remain on machine. All function of the machine keyboard (except bin-lifter) will also be on the remote control. The remote control will be inside the inlet opening of machine during transport.	14 000 869
<b>2 inch drainage with ball valve</b>	mounted in compaction direction on right side on charge box in front at bottom.	14 000 872
<b>Start panel up</b>	The start panel will be mounted in high position in the front on the right hand side. Suitable for filling from ramp. The emergency stop button will also be raised.	14 000 881
<b>Automatic return of the press plate (front)</b>	After the adjusted running time the piston stops automatically in front at the inlet opening.	14 000 882
<b>Load cell for integrated bin lift</b>	Additional option load cell for bin lift incl. initial calibration Waste disposal according to the polluter's needs by weighing the waste containers. Control by means of a database system. EU calibrated, class III. Load cell mounted on the tipping frame of the bin lift for recording weight data. Control cabinet for load cell integrated in the side of the MPB 414 compactor. Note: Option only available with lift-tilt device! Option for tilting device technically NOT possible. Optional recommended equipment: Cover including mechanical hood opening via bin lift.	14 000 900



# ACCESSORIES (10/11)

Name	Description	Article number
<b>Phase reverser 32 A</b>	direction of motor engine can be changed without reconnecting the connection cable.	50 000 343
<b>Electrical connection 16 A</b>	Attention! Pre-fuse on site max. 16 A!	50 000 346
<b>Phase reverser 16 A</b>	direction of motor engine can be changed without reconnecting the connection cable. Attention! Pre-fuse on site max. 16 A!	50 000 347
<b>Adapter 32 A to 16 A incl. phase reverser</b>	CEE Plug adapter from 32 A to 16A plug. The main fuse protection of the power supply has to be checked by the customer. The adapter could be found on delivery at the hook or inside the hydraulic aggregate room.	50 000 349
<b>16 A cable extension</b>	5m extension for 16A cable with a 16A socket and plug. Excludes phase-changer. IP44 protection.	50 000 364
<b>32 A cable extension</b>	5m extension for 32A cable with a 32A socket and plug. Excludes phase-changer. IP44 protection.	50 000 367
<b>Special paint (2 colours)</b>	Painting in 2 special RAL colours.	50 000 443
<b>Single pump (ultra silent)</b>	Silent running cell pump instead of geared pumpe (single pump) and an absorbing pump carrier for a noise reduction of up to max. >= 8 dB(A).	50 210 851



# ACCESSORIES (11/11)

Name	Description	Article number
<b>Bio-hydraulic-oil</b>	Bio-oil in the hydraulic system. Please check with the factory beforehand.	50 000 893
<b>Arctic-hydraulic-oil</b>	High viscosity ultra-low temperature oil in the hydraulic system. Please check with the factory beforehand.	50 000 895
<b>Special paint</b>	RAL specification on demand	50 000 899
<b>Guide rails</b>	2500mm long for the correct positioning of the compactor. Requires flat hard surface. Protects the underlying surface from wear. Requires 180mm clearance under the compactor. Painted in anthracite grey RAL 7016.	51 880 000
<b>Pegs for the guide rails</b>	Pegs to fix the guide rails to the ground.	51 881 000

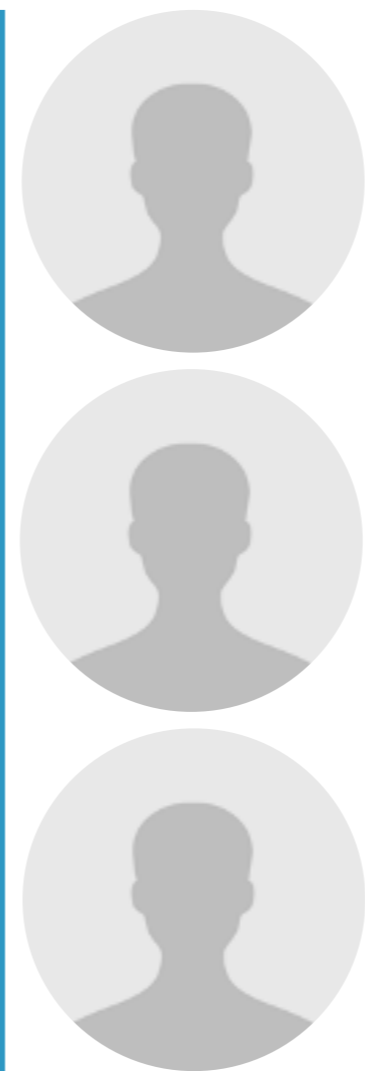






Contact us:

**main office**  
phone: **+49 5933 955-0**  
mail: **info@bergmann-online.com**



BERGMANN ONLINE



Questions about the brochure?

