

Vertical balers B-series

- Value for money
- Simple and safe

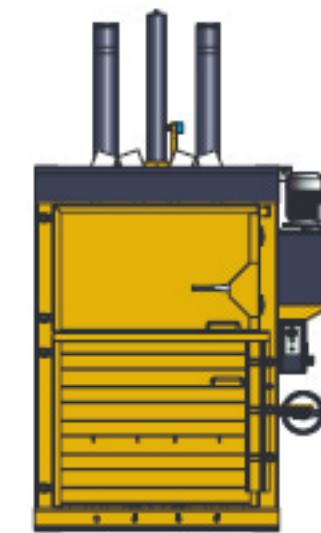
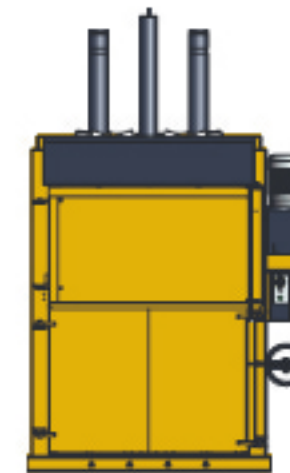
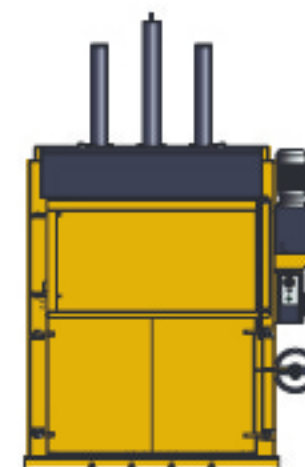
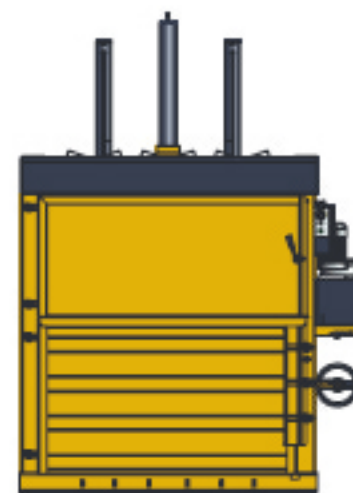


* Vertical Door

A model VD has a vertical door, which gives an ergonomical filling of waste.

The B-series are balers with an effective press force for compacting cardboard and dry soft plastic.

They are sold at reasonable prices, without compromising with the well-known quality and efficiency from other Bramidan machines.



Technical specifications	B3	B5 W	B16 W	B20 *	B30 *	B50
Press force (t)	3	5	16	20	30	50
Power supply	1x230V 10A	1x230V 10A	3x230/400V 25/16A	3x230/400V 25/16A	3x230/400V 32/25A	3x400V 32A
Noise level (dB)	65-68	65-68	67	62-64	62-64	70-75
Cycle time (sec)	26	33	31	36	55	30
Dimensions WxDxH (mm)	850 x 745 x 1965	1355 x 890 x 2370	2085 x 1070 x 2940	1765 x 1035 x 2770	1765 x 1030 x 2920	1860 x 1055 x 3180
Weight (kg)	310	600	1040	1220	1560	2025
Filling opening WxH (mm)	700 x 460	1000 x 500	1525 x 610	1200 x 550	1200 x 610	1200 x 600
Bale size WxDxH (mm)	700 x 500 x 650	1000 x 700 x 800	1525 x 800 x 950	1200 x 800 x 850	1200 x 800 x 950	1200 x 800 x 1200
Bale weight cardboard (kg)	30-50	80-110	250-300	200-250	280-350	400-500
Bale weight plastic (kg)	40-60	90-130	275-350	250-300	350-450	450-550

For more information, visit www.bramidan.com.