

Vertical balers

B-series



Baler B3

Small footprint baler - TEST

TEST - TEST - TEST - The B3 combines high compaction with a small base area and low height. It fits where you need it.

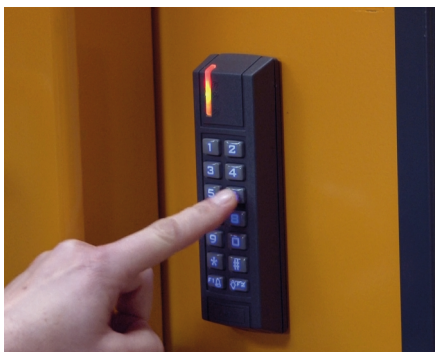
Handle bales easily

You can easily remove the finished bale with the hand cart included.

Highlights

- Simple and safe to use
- Small manageable bales
- Easy installation
- Small base area (0,67 m²) and low overall height (1885 mm)
- Operates on single phase power supply
- Safe and controlled opening of the lower door

Optional Extras



Prevent unauthorized people from operating your baler with a digital auto lock.



With our monitoring system BRA-IN you can control and optimize your baler fleet.



Order balers in a custom colour. Certain parts like top cover remain our standard grey.

Product details

Baler B3



Whisper

30 dB



Refrigerator

50 dB



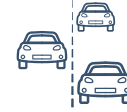
B3 baler

65-68 dB



Other balers

75 dB



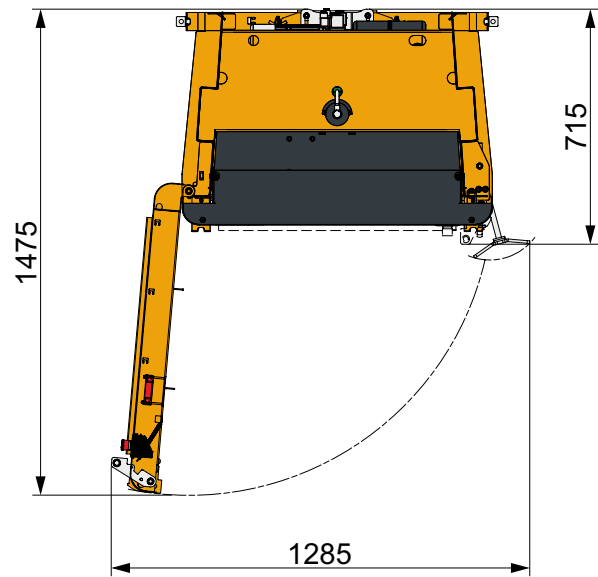
Cars on highway

100 dB



Turbojet engine

160 dB



Technical specifications

Bale size WxDxH (mm)	770 x 500 x 600
Feed opening WxH (mm)	770 x 460
Power supply	1x230V 50Hz 10A
Motor (kW)	1,1
Cycle time avg. (sec)	24
Dimensions WxDxH (mm)	975 x 715 x 1885
Machine weight (kg)	290
Stroke (mm)	550
Number of ties	2
Type of tying	Twine
Full bale light	Yes
Bale eject	Manual



Bale weight

Cardboard (kg) 30-50
Plastic foil (kg) 40-60



Press force

3 t



Noise level

65-68 dB



Waste types

Cardboard, plastic foil, paper

BRAMIDAN
www.bramidan.com

Bramidan A/S
Industrivej 69
6740 Bramming
Denmark
Tel: +45 7517 3266
bramidan@bramidan.dk