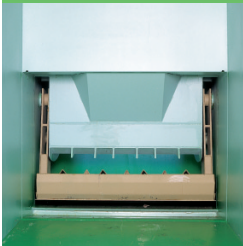


# MOBILE-PACK-BIN

MPB 405 SN

for skip-lift vehicles

**System:** Self-cleaning pendulum blade reaching under the waste material



 **BERGMANN**  
Machines  
for Waste Management  
[www.bergmann-online.com](http://www.bergmann-online.com)



# MOBILE-PACK-BIN

## The MOBILE-PACK-BIN:

The pendulum blade guarantees cleanliness without the accumulation of refuse deposits on the outside. The MOBILE-PACK-BIN can be continuously charged, because the packer blade passes under the waste that has been thrown in on its return cycle, pushing it into the bin on its forward cycle. Optimum Compaction is achieved, while the operation noise generated by the MOBILE-PACK-BIN is extremely low. Years of experience and constant improvement has resulted in the combination of the most economical net weight with great strength. The MOBILE-PACK-BIN is fitted with a robust hydraulic unit.

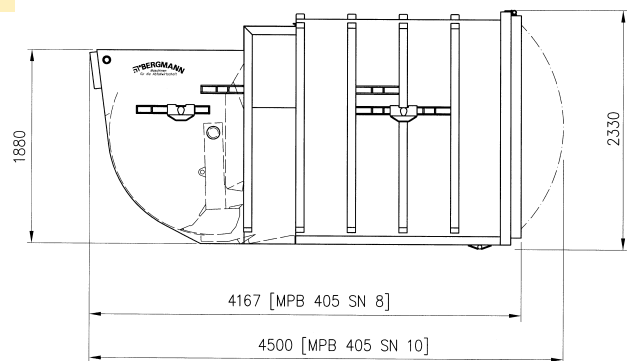
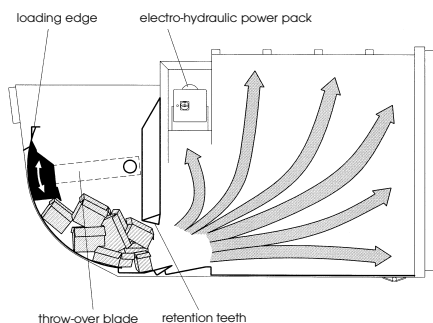
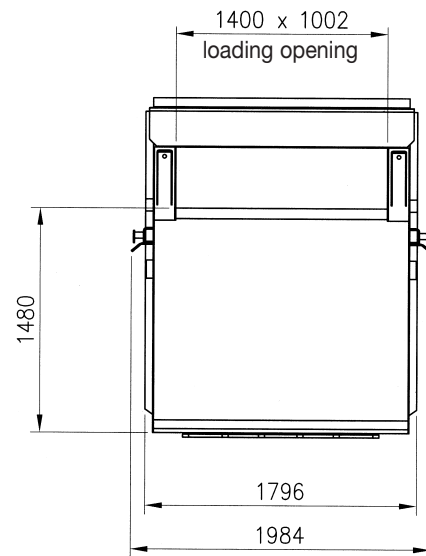


The tapered sides of the container make tipping easy. The unit's pick-up lugs can be adjusted to suit different skiplift vehicles.

Optional equipment: watertight design (works tested by filling with water); Integrated bin lift/tip device, flat cover for the loading opening, <sup>3</sup>/<sub>4</sub> full signal, <sup>4</sup>/<sub>4</sub> full signal, remote control etc.

### Type: MPB 405

Technical Data	SN 8	SN 10
Capacity:	8.5 m <sup>3</sup>	9.6 m <sup>3</sup>
Cycle time/compaction and return stroke:	35 seconds	35 seconds
Loading opening approx.:	1,400 x 1,002 mm	1,400 x 1,002 mm
Cylinder thrust force approx.:	178 kN	205 kN
Blade face pressure approx.:	18.8 N/cm <sup>2</sup>	21.6 N/cm <sup>2</sup>
Own weight approx.:	2700 kg	2750 kg
Length approx.:	4,167 mm	4,500 mm
Width approx.:	1,984 mm	1,984 mm
Height approx.:	2,330 mm	2,330 mm
Electrical data:	5,5 kW/400 V/50 Hz, right hand rotation field 25 A-delay action, standard plug CEE design 32 A (5 x 2,5 mm <sup>2</sup> )	



The technical and functional safety complies with the safety regulations for refuse compactors. Some illustrations also include optional accessories. Dimensions and technical details are not binding. The manufacturer reserves the right to make changes without prior notice.