

# ROTO-COMPACTOR

PS 800

**System:** Rotating waste compactor



**BERGMANN**  
Machines  
for Waste Management

[www.bergmann-online.com](http://www.bergmann-online.com)



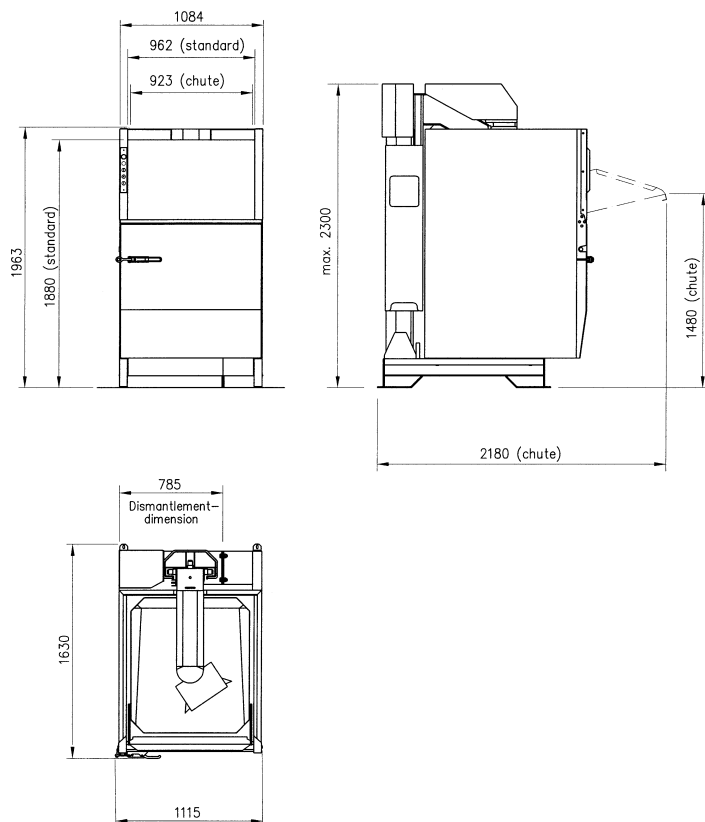
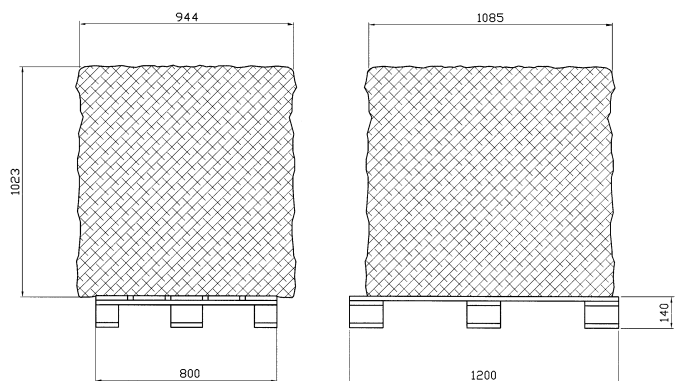
# ROTO-COMPACTOR PS 800

## The Roto-compacto PS 800 :

- achieves maximum cost savings and significant reduction of effort and labour
- positioning the unit directly where the waste is generated saves handling costs
- utilises manpower significantly as everybody can operate the unit without any training
- can be fed whilst compacting the waste
- helps to keep the working environment clean
- eliminates expensive and space-consuming containers
- eliminates dependence on frequent waste disposal journeys
- minimum space requirements: needs an area of 1,10 x 1,60 m
- particularly suitable for re-usable waste (e.g. cardboard, packing foils, polystyrene, fruit boxes, cans etc.) as well as refuse
- is constructed and built for hard long-term use
- altogether offers **a clean, hygienic and especially space and cost saving solution.**



1. The waste material is gripped, teared up and compacted by a compaction roller immediately when thrown in.
2. The waste bale is transported to the collection area by means of a fork-lift truck.



The technical and functional safety corresponds to the safety regulations for waste compactors. Some of the illustrations show extra equipment. Dimensions and technical data without obligation. Subject to alteration.

### Type: PS 800

#### Technical data

Empty weight.	740 kg
Bale volume	800 l
Electrical data:	2,2 kW/380-415 V/50 Hz

#### Beneficial application for waste disposal and recycling in:

- Industry
- Trade
- Hospitals
- Hotels and many other fields